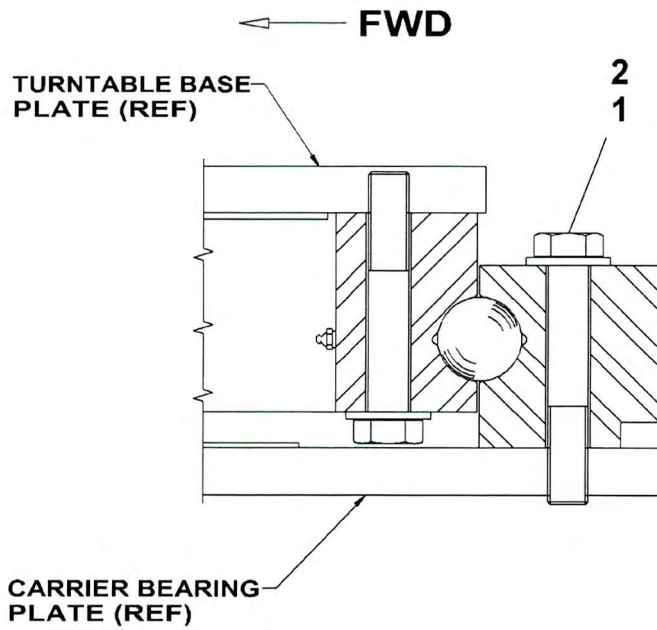
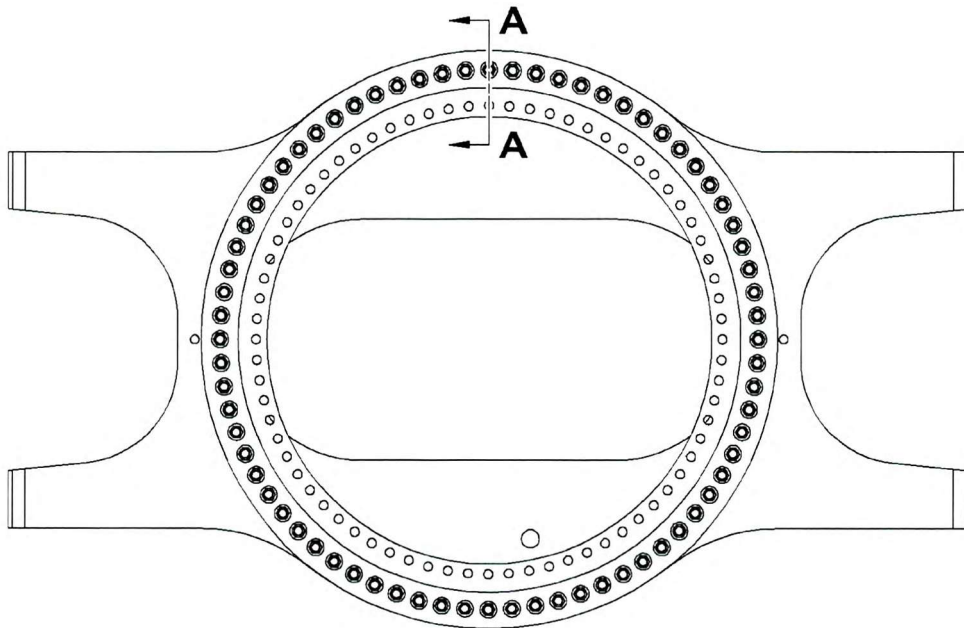


Manitowoc Cranes



SECTION A-A
ROTATED 90° CW